

### C-56U

#### Description:

Smoothing chokes are power supply filter chokes having a core with an air gap which prevents saturation at maximum current. Hipot to 1500 VRMS between winding and core for safety.

#### Electrical Specifications (@25C):

Current DC Amps	Inductance †† Henries	Resistance Ohms
2.0	0.035	0.79

†† = Inductance tolerance -20%, + 50 %

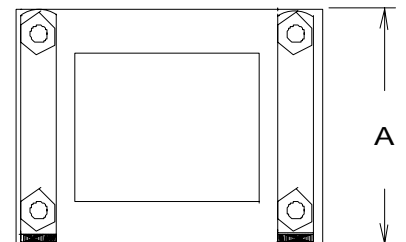
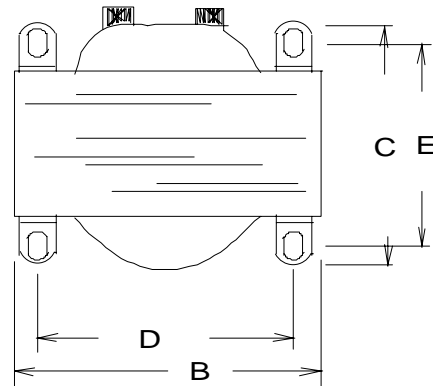
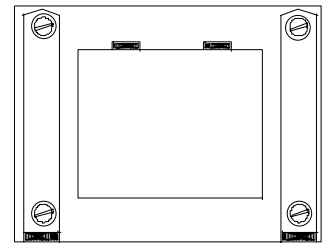
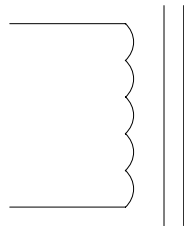
#### Dimensions:

Unit: In inches

A	B	C	D	E
2.250	2.625	2.00	2.187	1.750

Weight: 2.0 lbs.

#### Schematic:



**RoHS Compliance:** As of manufacturing date February 2005, all standard products meet the requirements of 2002/95/EC, known as the RoHS initiative.

\* Upon printing, this document is considered "uncontrolled". Please contact Triad Magnetics' website for the most current version.